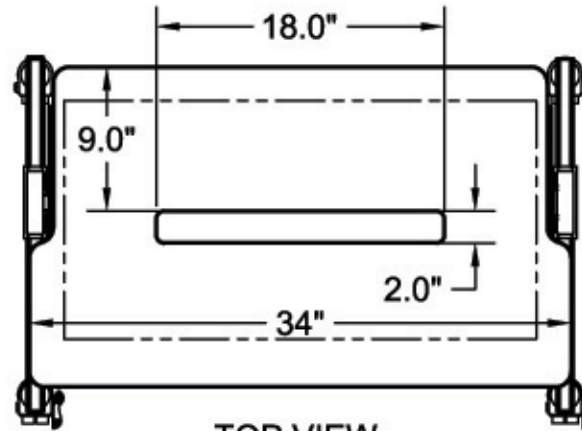
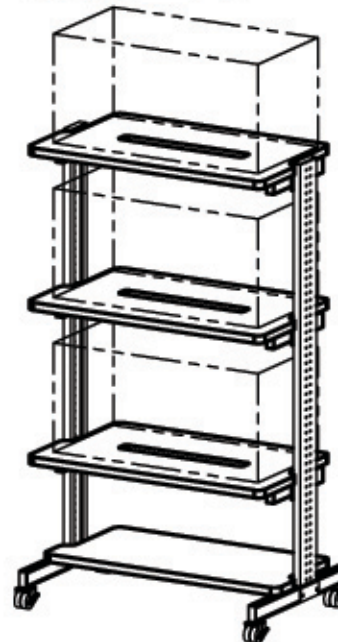


FRONT VIEW
SCALE: 3/4" = 1' - 0"

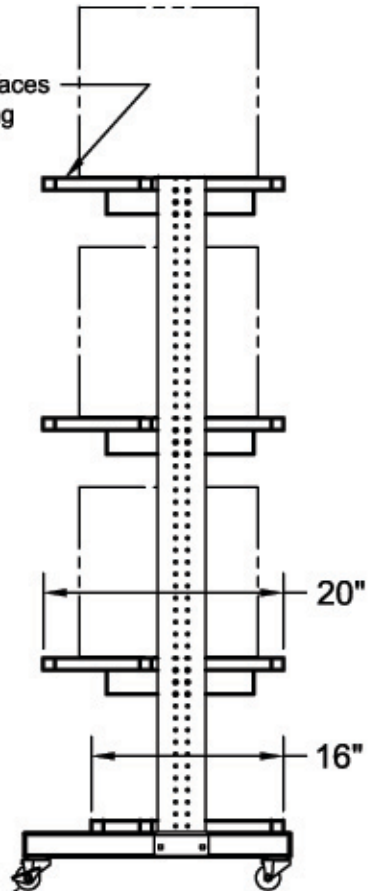


TOP VIEW
SCALE: 1" = 1' - 0"



ISOMETRIC VIEW
SCALE: ~1/2" = 1' - 0"

All Shelf Surfaces with T-Molding



SIDE VIEW
SCALE: 3/4" = 1' - 0"

(4) Ø2" Casters
(2) Locking

NOTES:
1. Preliminary drawing. All dimensions have to be approved by customer.
2. Can be moved with printers only on leveled surface.
3. * - clearances

MATERIAL:
TOLERANCES UNLESS OTHERWISE SPECIFIED
FRACTIONAL ±1/64
2 PLC. DEC. ±.01
3 PLC. DEC. ±.001
ANGULAR ±.5°
FINISH

DRAWN BY: BD
DATE: 01/29/13
APPROVED
ENG:
MFG:
QA:
SCALE AS SHOWN **SHEET: 1 OF 1**

DESCRIPTION: Smart Cart
USED ON:
PATH: \Customers\Mainline Computer\
PDF NAME: XSC342059_01
REV: SIZE A