

GLRR-1984 & GLRR-1984BA



GLRR-1984

19" Open Bay Relay Rack

SHIPPING WEIGHT: 30 lbs. (1 Package)

DIMENSIONS: 84.00"H x 20.31"W x 14.00"D
(79" Mounting Space)

EXTRUDED ALUMINUM: Double Sided
12-24 Tapped Holes
19" EIA Mtg.

FINISH: GLRR-1984 - Anodized
GLRR-1984BA - Black Anodized



GLRR-1984BA

GLRR-1984 and GLRR-1984BA

DESCRIPTION

Rack component part list: (2) vertical uprights, (2) base angles, (2) top angles, (12) 1/2"- 13 x 1 hexhead bolts & (12) 1/2" lock washers, (50) 12-24 x 1/2" mounting screws

PART NO.

FINISH

PART NO.	FINISH
GLRR-1984	Anodized finish
GLRR-1984BA	Black anodized finish

ACCESSORIES

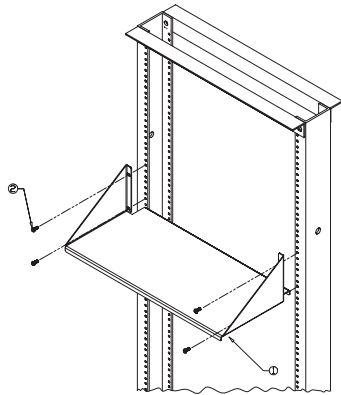
7219	6 position power strip with circuit breaker and 12 ft. cord for 19" mounting
7219-S	6 position power strip with circuit breaker and surge suppressor for 19" mounting
19SRB	Strain relief bar

SHELVES FOR 19" MOUNTING

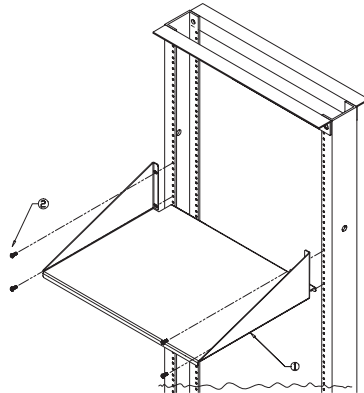
7206-EIA	Stationary shelf - 17.468"W x 18.00"D
7206-SL	Sliding shelf - 16.343"W x 17.50"D
7206-FM	Stationary front mount shelf - 17.25"W x 18.00"D
7206-14	Stationary shelf - 17.50"W x 14.00"D

Open Bay Relay Rack Accessories

Heavy Duty Relay Rack Shelves

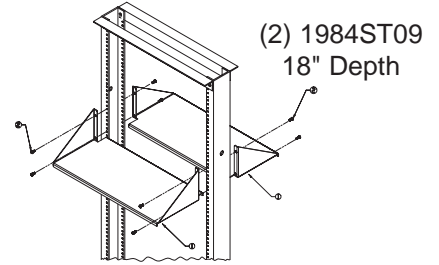


1984ST09
9" Depth

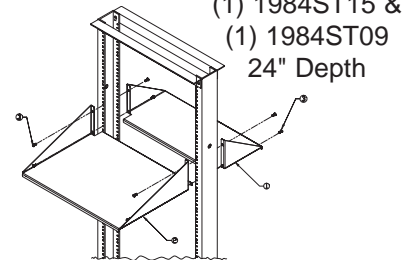


1984ST15
15" Depth

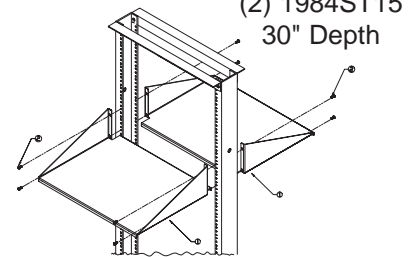
Double-sided Shelf Options



(2) 1984ST09
18" Depth



(1) 1984ST15 &
(1) 1984ST09
24" Depth



(2) 1984ST15
30" Depth

Features

- 19" EIA relay rack mounting
- 75 lbs. distributed weight capacity per single shelf or 150 lbs. per double-sided shelf
- Mount to drilled double-sided racks
- 9", 15", 18", 24" and 30" depths available
- 12-24 Mounting hardware included
- Double-sided shelves provide solutions for extra deep equipment

Specifications

- 14 Gage steel, formed construction
- Black powder coat finish
- 5.25"H x 19"W (minimum usable width 17.375" to 18.85")

PART NO.	DESCRIPTION
1984ST09	Single-sided 9" deep HD shelf
1984ST15	Single-sided 15" deep HD shelf

Vertical Cable Management for Relay Racks



PART NO.	DESCRIPTION
1984-VCM	7'H x 8"D double sided vertical cable management with 3.875"W x 3.875"D cable runs
1984-VCMC	One hinged cover for 1984-VCM

GLRR-1984BA
with optional
1984-VCM vertical
cable management