

# TECHNICAL DATA SHEET - C-Clamp accessory for Vision•Point™ desktop articulating arm LCT-100 and LCT-100P

**peerless**  
Solid Solutions - Solid Support

MODELS: ACC 903, ACC 903P

The **ACC 903** and **ACC 903P** clamp mount is designed to mount Peerless desktop articulating arm on the side of a desk or counter with no drilling required.

**Features:**

- For mounting the arm on the side of a desk (no drilling required)
- Composed of strong yet lightweight die-cast aluminum, sheet metal, and plastic parts
- Black or platinum color
- For surfaces 3/4" to 1.5" thick

**Dimensions:**

**Weight:**

**3.27 lbs. (1.5 kg)**

**Shipping weight:**

**3.4 lbs. (1.6 kg)**

**Maximum Load Capacity:**

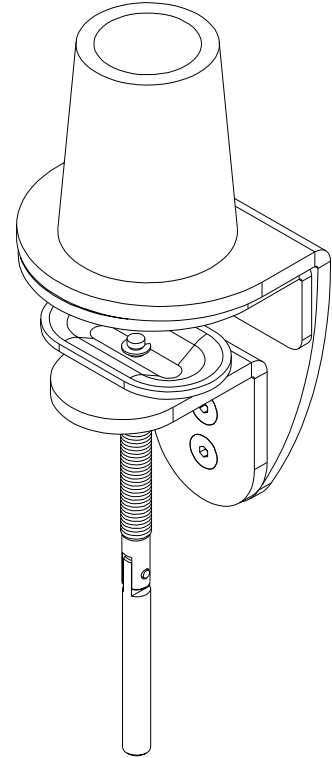
**25 lbs. (11.4 kg)**

**Shipping Carton dimensions:**

**L= 8.0 in (203mm)**

**W= 4.0 in (102mm)**

**H= 4.0 in (102mm)**



## ARCHITECTS SPECIFICATIONS

The Desktop Arm shall be Peerless models **ACC 903** and **ACC 903P** and shall be located where indicated on the plans. It shall be constructed of cast aluminum, sheet metal, and plastic parts. Assembly and installation shall be done according to instructions provided by the manufacturer.

Peerless Industries, Inc.  
1980 Hawthorne Ave. Melrose Park, IL 60160  
708-865-8870 800-865-2112 Fax 708-865-2941  
[www.peerlessindustries.com](http://www.peerlessindustries.com)

ISSUED: 09-16-02 SHEET NO: 090-9549-1

©2002 Peerless Industries, Inc. All rights reserved.  
Vision Point is a trademark and Peerless is a registered trademark of Peerless Industries, Inc.