

INSTALLATION INSTRUCTIONS VRC HEAT REJECT DUCT ASSEMBLY

NOTES:

1. SEE LIEBERT ENGINEERING SPECIFICATION 168187 FOR ADDITIONAL REQUIREMENTS
2. MATERIAL: 20 LB BOND PAPER
3. SIZE : 8 1/2" BY 11"
4. SEE INSTRUCTION SHEETS 1- X FOR ACTUAL TEXT AND GRAPHICS
5. SEE LIEBERT AGILE FILE 341516_Rev0.PDF FOR MASTER DOCUMENT
6. AUTHORIZED MFGRS: BUYER OPTION PER SPEC.

MATERIAL SPECIFICATION SHEET ONLY
DO NOT PRINT THIS PAGE!

DRAWN : VAIBHAV JOSHI
CHECKED: NA
ENGR : GAURAV JAIN

DATE: 10/04/2018
DATE: NA
DATE: 10/04/2018

SHEET : 1/6
REV : 0
DRAWING: 341516

INSTALLATION INSTRUCTIONS VRC HEAT REJECT DUCT ASSEMBLY

Purpose: This instruction gives detailed information on installing the VRC HEAT REJECTION DUCT ASSEMBLY # 341154G1

See unit installation manual for unit location and Installation requirements



WARNING

Arc flash and electric shock hazard. Remove power to the VRC unit before installation. Open all local and remote electric power supply disconnect switches; verify with a voltmeter that power is off.

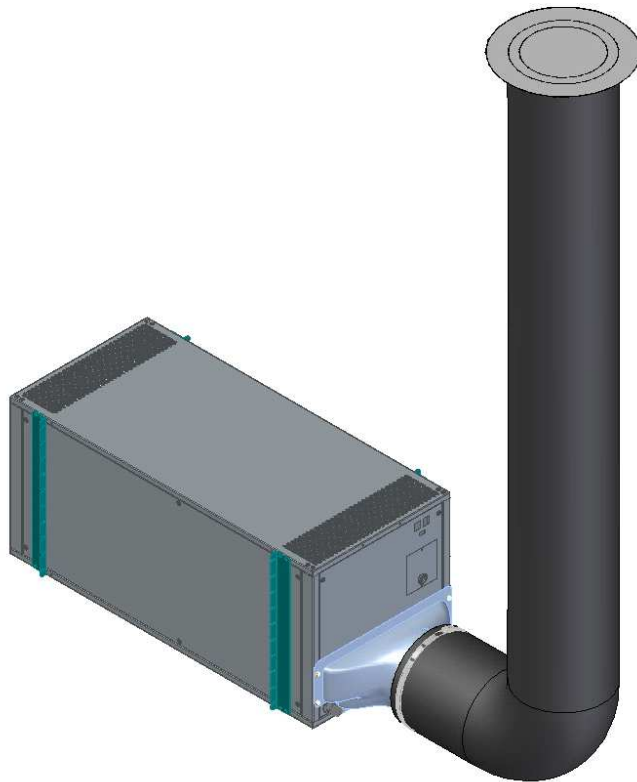


CAUTION

Risk of contact with sharp edges and exposed fasteners. Can cause injury. Wear appropriate OSHA approved PPE when unpacking and installing this kit.

INSTALLATION INSTRUCTIONS VRC HEAT REJECT DUCT ASSEMBLY

General: The VRC duct kit is to be attached to the unit per instructions below.



INSTALLATION INSTRUCTIONS VRC HEAT REJECT DUCT ASSEMBLY

Following are components of VRC HEAT REJECT DUCT ASSEMBLY (341154G1):

Item No.	Description	Qty.	Views
1	INSTR ASSY DUCT TRANSITION KIT	1	
2	DUCT TRANSITION CONDENSER TO 8"	1	
3	SCREW M5 X 8.0 PAN HD PHILLIPS	6	
4	CEILING PIECE DUCT CONNECTION	1	
5	CLAMP HOSE WORM DR 2.0"-10.0"	2	
6	DUCT FLEX 8"	1	
7	INSUL ROLL 1/2 X 1/8 W/PSA	9.5 Ft.	
8	BAG PLASTIC ZIPLOCK 12X15 2ML	1	

DRAWN : VAIBHAV JOSHI
 CHECKED: NA
 ENGR : GAURAV JAIN

DATE: 10/04/2018
 DATE: NA
 DATE: 10/04/2018

SHEET : 4/6
 REV : 0
 DRAWING: 341516

INSTALLATION INSTRUCTIONS

VRC HEAT REJECT DUCT ASSEMBLY

INSTALLATION OF VRC HEAT REJECT DUCT ASSEMBLY:

- 1) Remove all components from box
- 2) Affix gasket tape (Item 7) to the duct transition piece (Item 2) as shown in Fig. 2.1

Important: Gasket tape is required on the duct transition piece to prevent air leakages.

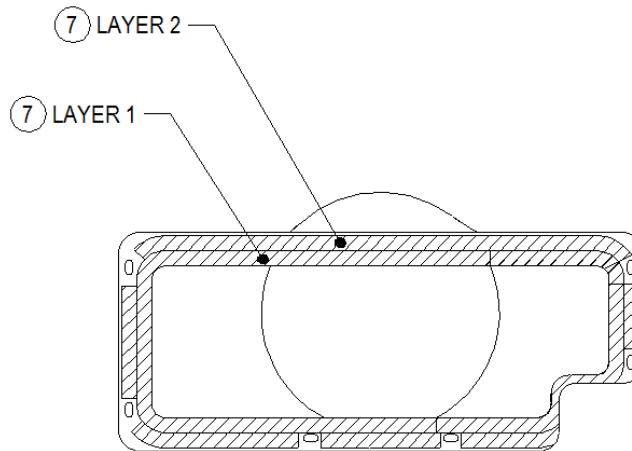
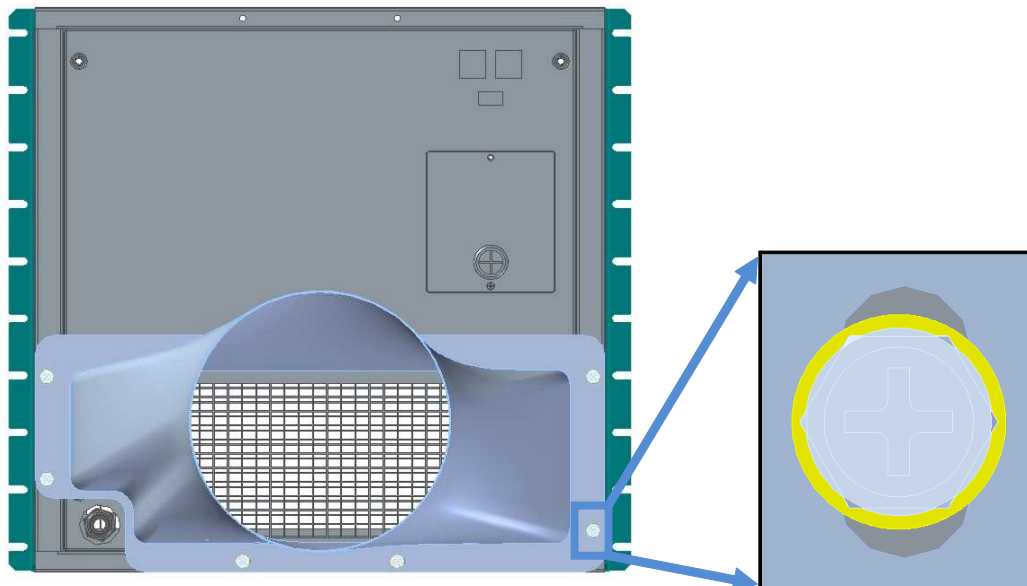


Fig. 2.1

- 3) Attach the above taped duct transition piece on condenser air discharge in the back of VRC unit. Use six phillips head screws (Item 3) as shown in Fig 3.1 & Fig 3.2



Duct transition piece on Condenser outlet

Fig. 3.1

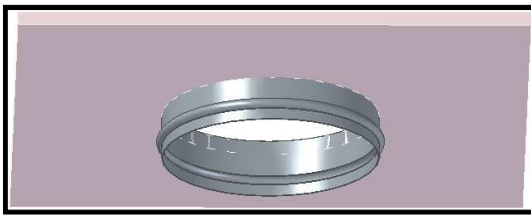
Philip headed screw

Fig. 3.2

INSTALLATION INSTRUCTIONS

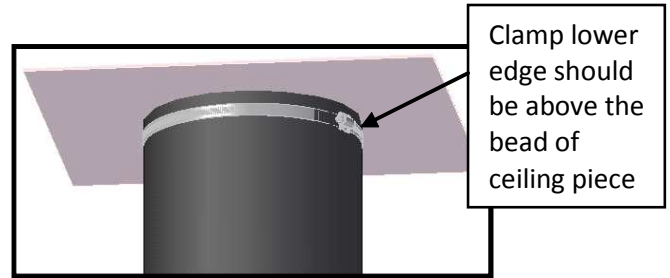
VRC HEAT REJECT DUCT ASSEMBLY

- 4) Cut 8 inch diameter hole in roof ceiling tile at center and insert ceiling piece (Item 4) as shown in Fig 4.1. Use clamp (Item 5) to connect flex duct (Item 6) with ceiling piece (Item 4) on the other side of tile as in Fig 4.2. (**Note:** Ensure the clamp lower edge is above the bead of ceiling piece (item 4))



Top ceiling piece in tile

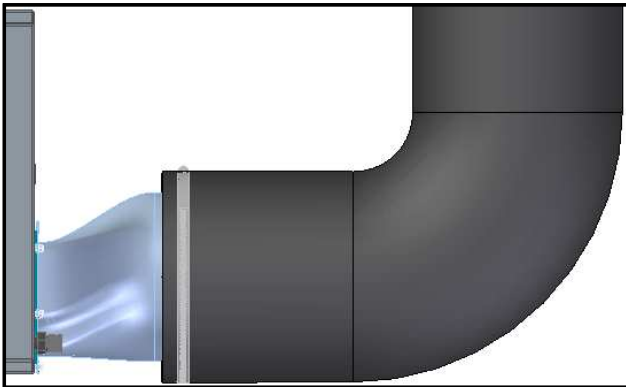
(Fig. 4.1)



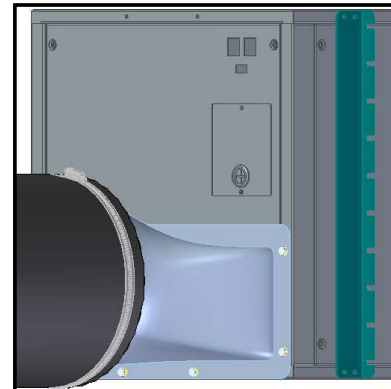
Duct piece clamped to ceiling piece

(Fig. 4.2)

- 5) Connect bottom portion of flex duct (Item 6) to duct transition piece (Item 2) using clamp (Item 5) as shown in Fig 5.1 & Fig. 5.2. Ensure the clamp is tight enough to prevent any leakages at the connection point.



(Fig. 5.1)



(Fig. 5.2)