



A Complete Server Handling Solution

With the SL-350X[®] hand-cranked lift, anyone can safely and single-handedly load, transport, position, and install servers in any data center.

- ✓ Only safety-certified manual data center lift
- ✓ Eliminates risk to equipment and personnel
- ✓ Never requires power or charging
- ✓ One tech per move, every time
- ✓ Micro-leveling SmartTILT™ shelf adjustment perfectly aligns server with both rails or rack posts



LISTED
MANUALLY-OPERATED
MATERIAL LIFT
SA44294



The ServerLIFT SL-350X Hand-Cranked Data Center Lift is the gold standard alternative to motorized lifts. It handles all rack-mounted IT equipment. While built to withstand everyday use, the SL-350X lift is recommended for data centers with occasional server moves, due to the physical strain of repetitively hand-cranking servers up and down.

- ✓ 350 lb (159 kg) load capacity
- ✓ Operate in narrow aisles as small as 36" wide (91 cm)
- ✓ Server support to over 52U high (8 ft or 2.44 m)
- ✓ Over 2° of platform angle tilt adjustment
- ✓ Optional 3 or 5-year Extended Service and Warranty contracts



- Weight: 163.29kg [360lb]
- Shipping Weight: 209.56kg [462lb]
- Zero Turn Radius (can pivot on axis when front casters are unlocked)
- Aisle and "T" Intersection turn limit: 32"
- Side Shelf distance: 6" each side - 12" total travel
- Minimum Aisle Width: 635mm [25"]
- Shelf upper height, fully extended: 2466.03mm [97.09"]
- Shelf lowest height: 135.85mm [5.35"] off the ground
- Maximum load capacity rating: 158.76kg [350lb]

D

D

C

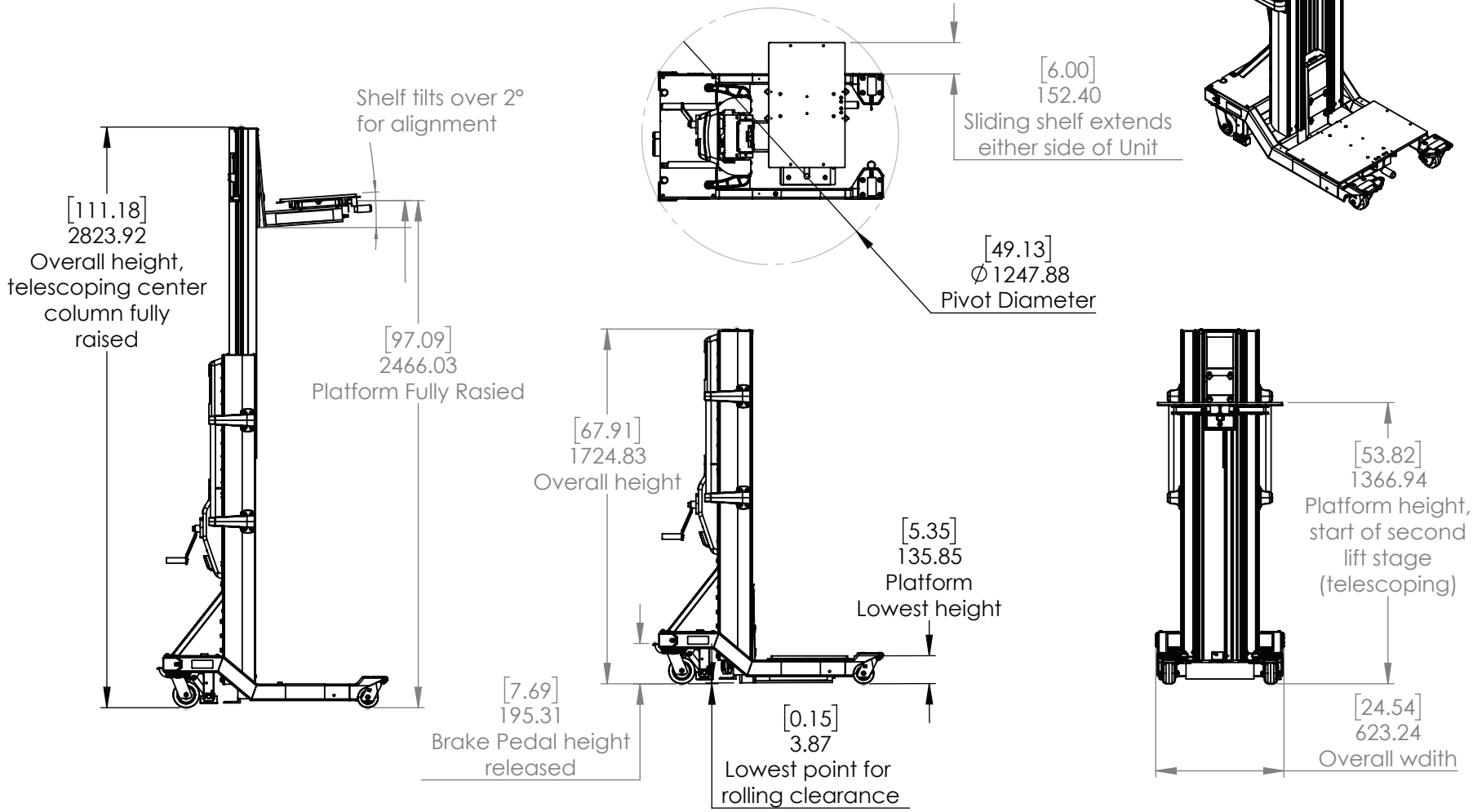
C

B

B

A

A



phone (602) 254-1557
 fax (602) 254-1975
 17453 N. 25th Ave.
 Phoenix, AZ 85023
 www.ServerLift.com

© COPYRIGHT SERVERLIFT CORPORATION 2018
 THE INFORMATION IN THIS DRAWING IS CONFIDENTIAL
 AND IS THE SOLE PROPERTY OF SERVERLIFT OR ITS
 CLIENT. REPRODUCTION IN WHOLE OR IN PART
 WITHOUT WRITTEN PERMISSION OF SERVERLIFT IS
 PROHIBITED.

ADDITIONAL DETAIL:

8

7

6

5

4

3

2

1