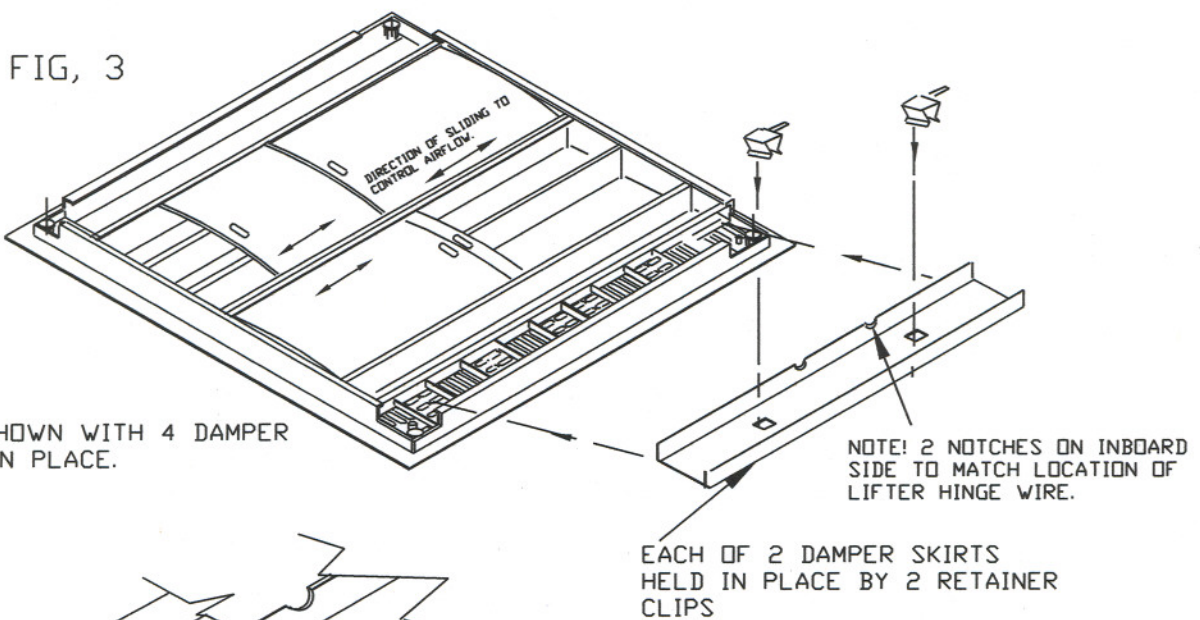
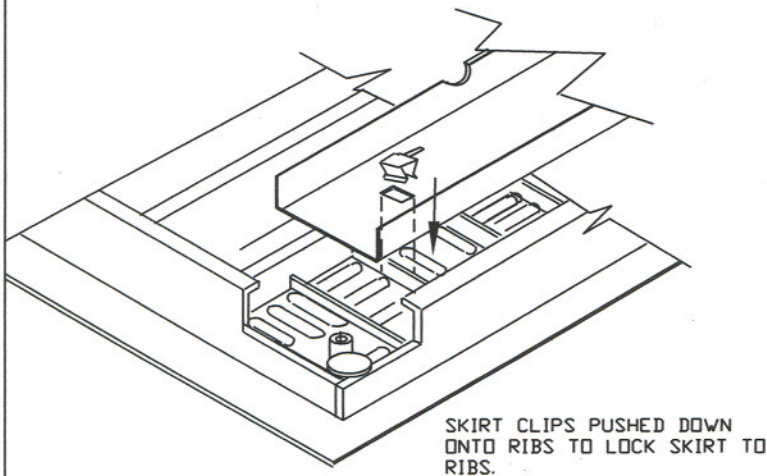


EACH OF 4 DAMPER PLATES (MAX), HELD IN PLACE BY INSTALLING AS SHOWN.



GRATE, SHOWN WITH 4 DAMPER PLATES IN PLACE.



INFINITY GRATE.
ISOMETRIC VIEW OF
BOTTOM SURFACE, WITH DAMPER
AND SKIRT ASSEMBLY
INSTRUCTIONS.

10/4/06.

DWG 14D