

TECHNICAL DATA SHEET - Stationary base accessories for Vision•Point™ desktop articulating arm LCT-100 and LCT-100P



MODELS: ACC 901, ACC 901P

The **ACC 901** and **ACC 901P** stationary base accessories for Peerless® Vision Point™ desktop articulating arm allow the installer to mount the arm by drilling anywhere through the mounting surface, or by drilling next to a desk existing grommet for cord management (drilling required for both).

Features:

- For mounting the arm using an existing desk grommet for cord management or simply by drilling anywhere through the mounting surface (drilling required for both)
- Composed of strong yet lightweight die-cast aluminum, sheet metal, and plastic parts
- Black or platinum color
- For for wood and/or wood composite surfaces 3/4" to 1 3/4" thick

Dimensions:

Weight:

1.19 lb (0.5 kg)

Shipping weight:

1.4 lb (0.6 kg)

Maximum Load Capacity:

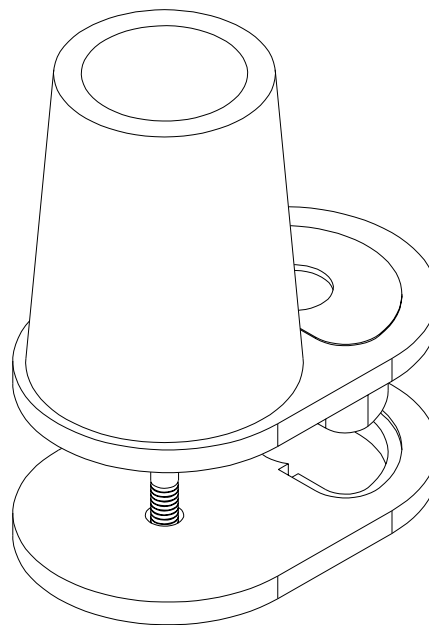
25 lb (11.4 kg)

Shipping Carton dimensions:

L= 8.0 in (203 mm)

W= 4.0 in (102 mm)

H= 4.0 in (102 mm)



ARCHITECTS SPECIFICATIONS

The Desktop Arm shall be Peerless models **ACC 901** and **ACC 901P** and shall be located where indicated on the plans. It shall be constructed of cast aluminum, sheet metal, and plastic parts. Assembly and installation shall be done according to instructions provided by the manufacturer.